

AR2-27

72x94x47 MM

DIN RAIL



Universal configurable Defrost Controller for control panels

Main Features

- Selectable Refrigerating or Heating control
- Selectable NTC10K or PTC input
- FLEXICOLD function for energy saving or alternative setpoint
- Cyclic defrosts or scheduled real time starts
- Synchronized defrost start and termination with master-slave connection
- Optional control of a second compressor or evaporator
- Excellent evaporator fan control
- Absolute or relative temperature alarms and door open alarm
- Temperature and pressure monitoring and condensing unit maintenance
- Light and standby control (On/Off)
- Quick programming through ZOT-AR2
- Connection to LAE supervisory systems

Applications

On control panels for the control of cold stores, plug-in and supermarket display cases.

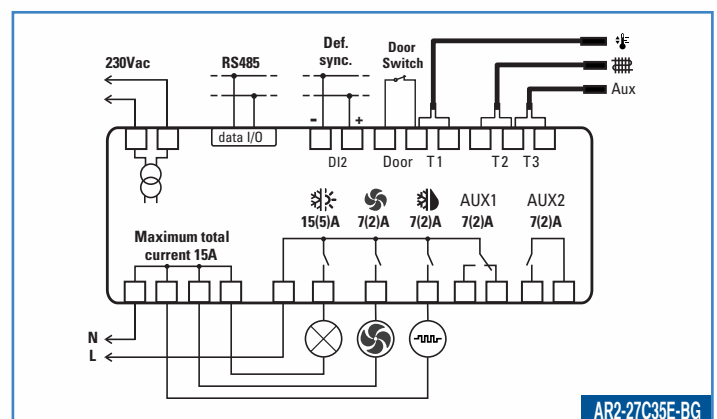
Technical Data

CONTROL RANGE :	-50...120°C, -55...240°F
RESOLUTION:	0.1 / 1 °C; °F
ACCURACY:	NTC10K: $\pm 0.3^\circ\text{C}$ (-40.0 ÷ 70.0°C) PTC1000: $\pm 0.5^\circ\text{C}$ (-50 ÷ 120°C)
SENSOR TYPE:	SELECTABLE NTC10K STANDARD MOD. SN4K20P1/P2/P3 OR PTC1000 STANDARD MOD. ST1K20P1/P2/P3
POWER SUPPLY:	230VAC ± 10%, 50/60Hz, 3W
RECHARGEABLE BATTERY:	>150 HOURS
FRONT PROTECTION:	IP55
AMBIENT TEMPERATURE:	-10 ÷ 50°C

Series AR2-27

Functions		B13E-AG	C24E-AG	C35E-BG
Temperature Inputs	Thermostat	✓	✓	✓
	Evaporator	✓	✓	✓
	Auxiliary	✓	✓	✓
Digital inputs	Door switch	✓	✓	✓
	Voltage free input	✓		
	Voltage input		✓	
	Defrost synchroniz. input			✓
Outputs	Thermostat	✓	✓	✓
	Evaporator fans	✓	✓	✓
	Defrost	✓	✓	✓
	Auxiliary 1		✓	✓
	Auxiliary 2			✓
Power supply	230Vac	✓	✓	✓
	Serial port	✓	✓	
Serial port	Serial port TTL	✓	✓	
	Serial port RS485			✓
Keypad	Generic	✓	✓	✓

All models come with an alarm buzzer.
Versions with power supply 12Vac/dc and 115Vac are also available.
In order to know more options available for the models, please consult LAE or our local dealer.



AR2-27C35E-BG