

# AT2-5

77x35x77 mm



## Configurable Universal Refrigerating/Heating Controller

### Main Features

- Universal panel thermostat
- Selectable Refrigerating or Heating control
- Runs on mains power supply
- Direct compressor control through high power 16(5)A
- Excellent evaporator fan control
- Auxiliary output configurable in six different operating modes
- Selectable NTC10K or PTC input
- Electrical, off cycle or hot gas defrost
- Absolute or relative temperature alarms
- Door open alarm
- Automatic condenser maintenance warning
- On/Off button
- Optional light control button
- Quick programming through ZOT-AT2 key

### Applications

High or Low Temperature upright cabinets and counters, cold storage, plug-in display cases, control panels, heated cabinets.

### Technical Data

Control Range:

-50÷120°C

Resolution: 0.1 / 1 °C; °F

Accuracy: NTC10K: <math>\pm 0.3^{\circ}\text{C}</math> (-40.0÷70.0°C)

PTC1000: <math>\pm 0.5^{\circ}\text{C}</math> (-50÷120°C)

Sensor type: selectable NTC10K standard mod. SN4K20P1 / P2 or PTC1000 standard mod. ST1K20P1/P2

Power supply: 230V~ ±10% 50÷60Hz 3W

Front protection: IP55

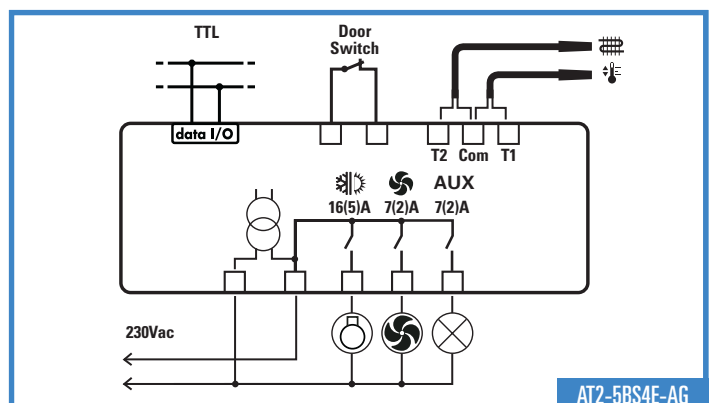
Panel cut-out: 71x29 mm

Ambient temperature: -10÷50°C

### Series AT2-5

Functions		BS4E-G	BS4E-AG	BS4E-AL
Inputs	thermostat	✓	✓	✓
	evaporator	✓	✓	✓
	door switch	✓	✓	✓
Outputs	thermostat	✓	✓	✓
	evaporator fans	✓	✓	✓
	auxiliary	✓	✓	✓
Power supply	230Vac	✓	✓	✓
Serial port	seriale port TTL		✓	✓
keypad	generic	✓	✓	
	with light button			✓

- Models with removable screw terminal blocks are available. In this case, the letter "S" of code changes in "Q", ex. AT2-5BQ4E-AL.
- All models come with an alarm buzzer.
- Versions with 110V power supply are available.
- On request, the AT2-5 is also available with gasket for a better protection between bezel and metal panel.
- In order to know more options available for the models, please consult LAE or our local dealer.



AT2-5BS4E-AG