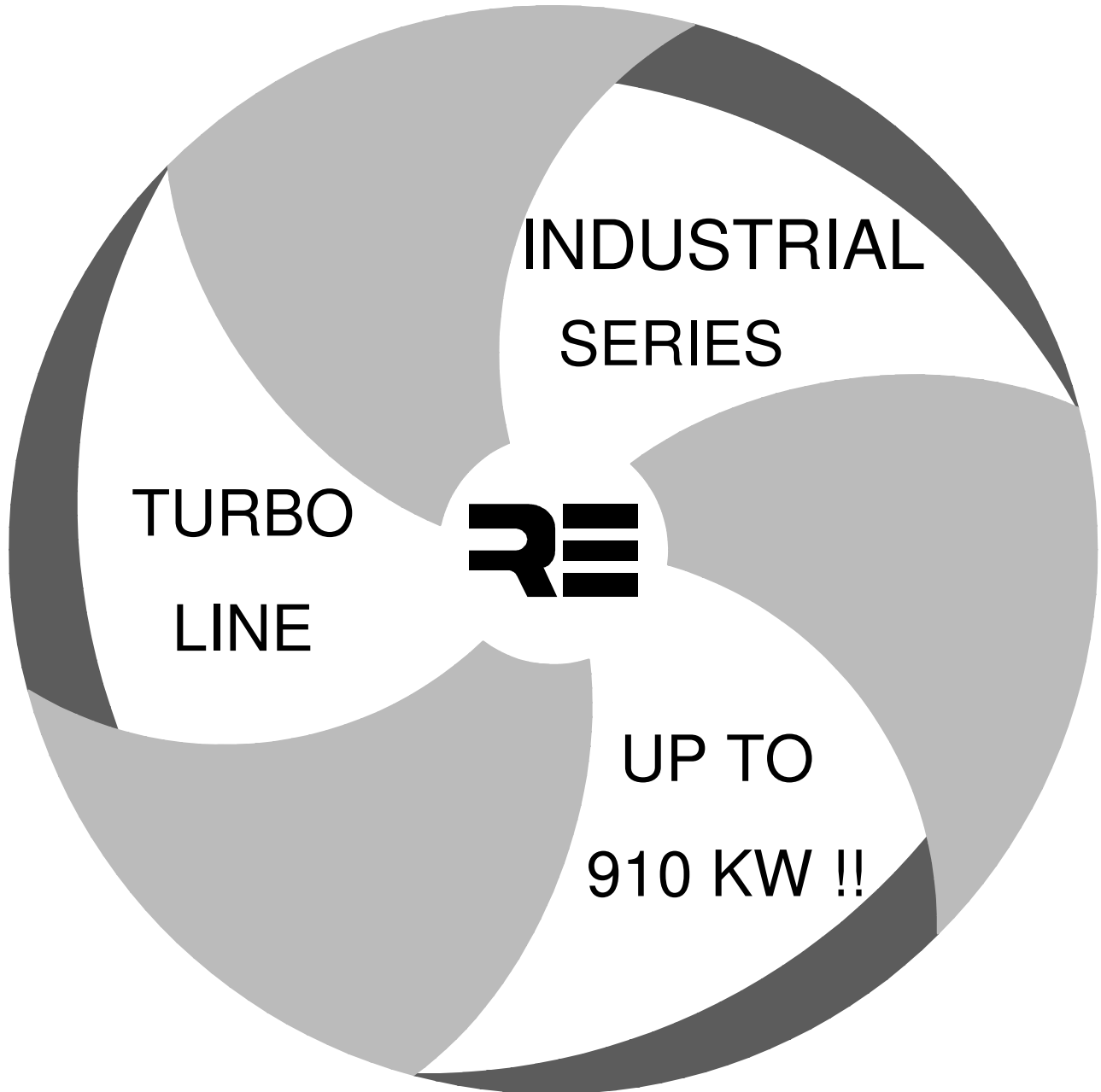




REMOTE CONDENSER



- High performance series
- More than 500 different models
- Low noise execution
- Small size at high capacity

ANALITIC SELECTION

REQUIRED CAPACITY

The capacity needed by the HVAC circuit can be evaluated only using this formula.

$$Q_c = Q_e * F_c * F_k$$

Q_c = Condensing Capacity

F_c = Refrigerant cycle factor

Q_e = Evaporating Capacity

F_k = Compressor type

F_c Cond. Temp.	Evaporating Temp (°C)					
	-40	-30	-20	-10	0	10
30	1.66	1.46	1.32	1.22	1.16	1.12
35	1.74	1.52	1.36	1.25	1.19	1.14
40	1.82	1.58	1.41	1.30	1.22	1.17
45	1.90	1.64	1.46	1.34	1.27	1.20
50	1.99	1.71	1.53	1.40	1.31	1.23
55	--	1.78	1.60	1.46	1.35	1.28
60	--	--	1.67	1.52	1.41	1.32

F_k	Ermetic	Semierm.	Open
	1,1	1,1	1,00

ANALITIC SELECTION

STANDARD CONDITIONS

Every data present in this catalogue refers to the following operative conditions

Air Inlet temperature Ta= 25°C

Refrigerant Condensing temperature Tc=40°C

Refrigerant R=404A

Altitude 30 m

EQUIVALENT CAPACITY

If the environmental conditions differ from the standards ones you will use this formula to evaluate the equivalent capacity of every model present in this catalogue.

$$Q_{c_{eq}} = Q_{c_k} * Fr * (\Delta t / 15) * Fh * FI$$

Q_{c_{eq}} = Equivalent conditions

Q_{c_k} = Capacity in std. conditions

Fr = Refrigerant factor

Fh = Altitude factor

FI = Fin material factor

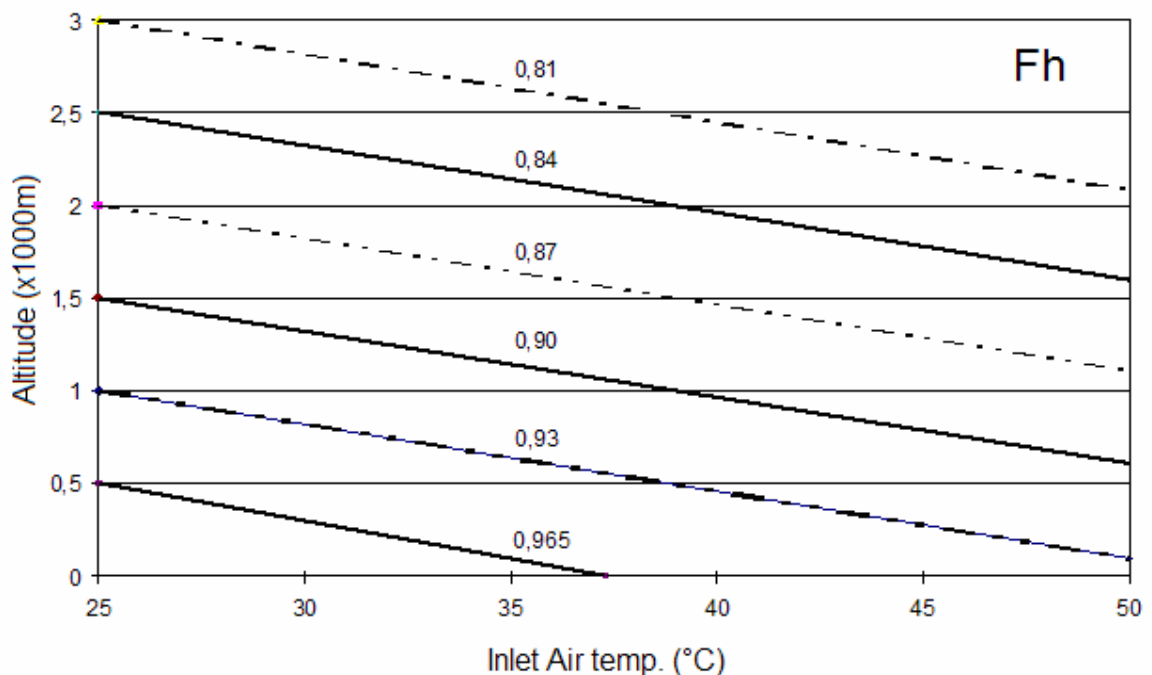
Δt = T_c - T_a

Fr

Refrigerant			
R22	R134A	R404A	R407C
0,96	0,93	1,00	0,87

FI

Materials		
Al	AP	CU
1,00	0,97	1,03



NOISE LEVEL

SOUND PRESSURE LEVEL

It's the mean value calculated on a cubic shape wrapping the whole machine standing at a distance of 10 meter of every side (free field calculation)

This value has been calculated on the Sound power level data published by our fans suppliers

NON STANDARD DISTANCES

If the distance differs from our standard one (10m) please add the following coefficient to the data present in this catalogue

Distance (m)

Diam(mm)	2	3	5	10	15	20	30	40	60	80	100
500-630	12	9,5	5,5	0	-3	-5,5	-8,5	-11	-14	-16	-18
800-910	10	8	5	0	-3	-5,5	-8,5	-11	-14	-16	-18

NOTE:

These data are indicative and do not consider any environmental influence

TURBO INDUSTRIAL SERIES 6

CODE	D			Y			IN mm	OUT mm	WEIGHT kg	VOL dm ³	SUP m ²	Nr. FAN	FAN TYPE
	KW	m ³ /h	DB(A)	KW	m ³ /h	DB(A)							
CAR811226	46	21.345	50	41	16.035	45	1x22	1x16	179	11	57	1	A
CAR811326	62	19.510	50	54	14.260	45	1x28	1x22	191	15	86	1	A
CAR811426	72	17.725	50	61	12.735	45	1x28	1x22	202	19	115	1	A
CAR811526	79	16.330	50	64	11.550	45	1x28	1x22	215	24	144	1	A
CAR812226	93	42.690	53	83	32.070	48	1x28	1x22	316	19	115	2	A
CAR812326	125	39.020	53	107	28.520	48	1x35	1x28	339	28	173	2	A
CAR812426	145	35.450	53	121	25.470	48	1x35	1x28	360	36	230	2	A
CAR812526	158	32.660	53	128	23.100	48	1x35	1x28	386	45	288	2	A
CAR813326	187	58.530	55	161	42.780	50	1x35	1x28	506	41	259	3	A
CAR813426	217	53.175	55	182	38.205	50	1x42	1x35	538	53	346	3	A
CAR813526	237	48.990	55	192	34.650	50	1x42	1x35	578	66	432	3	A
CAR814326	249	78.040	56	215	57.040	51	1x42	1x35	721	53	346	4	A
CAR814426	290	70.900	56	243	50.940	51	1x42	1x35	773	70	461	4	A
CAR814526	315	65.320	56	256	46.200	51	1x42	1x35	837	87	577	4	A
CAR815426	362	88.625	56	303	63.675	51	1x42	1x35	951	87	577	5	A
CAR815526	394	81.650	56	319	57.750	51	1x54	1x42	1031	108	721	5	A
CAR823426	434	106.350	57	364	76.410	52	2x42	2x35	1076	106	692	6	A
CAR823526	474	97.980	57	384	69.300	52	2x42	2x35	1156	132	864	6	A
CAR824326	498	156.080	58	430	114.080	53	2x42	2x35	1442	106	692	8	A
CAR824426	580	141.800	58	486	101.880	53	2x42	2x35	1546	140	922	8	A
CAR824526	630	130.640	58	512	92.400	53	2x42	2x35	1674	174	1154	8	A
CAR825426	724	177.250	59	606	127.350	54	2x42	2x35	1902	174	1154	10	A
CAR825526	788	163.300	59	638	115.500	54	2x54	2x42	2062	216	1442	10	A
CDR811226	61	23.255	50	55	17.985	45	1x28	1x22	231	19	86	1	A
CDR811326	82	22.130	50	71	16.805	45	1x28	1x22	249	25	129	1	A
CDR811426	96	20.980	50	81	15.710	45	1x35	1x28	265	32	173	1	A
CDR811526	105	19.945	50	85	14.720	45	1x35	1x28	285	38	216	1	A
CDR812226	122	46.510	53	110	35.970	48	1x35	1x28	403	32	173	2	A
CDR812326	163	44.260	53	143	33.610	48	1x35	1x28	437	44	259	2	A
CDR812426	192	41.960	53	163	31.420	48	1x42	1x35	468	57	346	2	A
CDR812526	209	39.890	53	171	29.440	48	1x42	1x35	507	70	432	2	A
CDR813326	245	66.390	54	214	50.415	49	1x42	1x35	647	64	389	3	A
CDR813426	288	62.940	54	244	47.130	49	1x42	1x35	693	83	519	3	A
CDR813526	314	59.835	54	256	44.160	49	1x42	1x35	752	102	649	3	A
CDR814326	327	88.520	56	286	67.220	51	1x42	1x35	934	83	519	4	A
CDR814426	384	83.920	56	325	62.840	51	1x54	1x42	1009	109	692	4	A
CDR814526	419	79.780	56	342	58.880	51	1x54	1x42	1103	134	865	4	A
CDR815426	480	104.900	56	407	78.550	51	1x54	1x42	1156	134	865	5	A
CDR815526	523	99.725	56	427	73.600	51	1x54	1x42	1273	167	1082	5	A

FANS	CODE	DIAM. (mm)	SUPPLY LINE	POWER (kW)		CURRENT(A)		RPM		S.POWER L.	
				D	Y	D	Y	D	Y	D	Y
A		800	400/3/50	2,00	1,25	4,00	2,30	880	660	84	79

TURBO INDUSTRIAL SERIES 6

CODE	D			Y			IN mm	OUT mm	WEIGHT kg	VOL dm ³	SUP m ²	Nr. FAN	FAN TYPE
	KW	m ³ /h	DB(A)	KW	m ³ /h	DB(A)							
CAR911226	51	27.805	55	51	27.805	54	1x22	1x16	179	11	57	1	D
CAR911326	71	26.445	55	69	24.815	54	1x28	1x22	191	15	86	1	D
CAR911426	84	23.425	55	81	21.915	54	1x28	1x22	202	19	115	1	D
CAR911526	91	20.900	55	87	19.565	54	1x28	1x22	215	24	144	1	D
CAR912326	143	52.890	58	139	49.630	57	1x35	1x28	339	28	173	2	D
CAR912426	168	46.850	58	162	43.830	57	1x35	1x28	360	36	230	2	D
CAR912526	182	41.800	58	175	39.130	57	1x35	1x28	386	45	288	2	D
CAR913326	214	79.335	60	208	74.445	59	1x42	1x35	506	41	259	3	D
CAR913426	252	70.275	60	243	65.745	59	1x42	1x35	538	53	346	3	D
CAR913526	273	62.700	60	262	58.695	59	1x42	1x35	578	66	432	3	D
CAR914426	336	93.700	61	324	87.660	60	1x42	1x35	773	70	461	4	D
CAR914526	364	83.600	61	349	78.260	60	1x42	1x35	837	87	577	4	D
CAR915426	420	117.125	61	404	109.575	60	1x54	1x42	951	87	577	5	D
CAR915526	455	104.500	61	437	97.825	60	1x54	1x42	1031	108	721	5	D
CAR923426	504	140.550	62	486	131.490	61	2x42	2x35	1076	106	692	6	D
CAR923526	546	125.400	62	524	117.390	61	2x42	2x35	1156	132	864	6	D
CAR924426	672	187.400	63	648	175.320	62	2x42	2x35	1546	140	922	8	D
CAR924526	728	167.200	63	698	156.520	62	2x42	2x35	1674	174	1154	8	D
CAR925426	840	234.250	64	808	219.150	63	2x54	2x42	1902	174	1154	10	D
CAR925526	910	209.000	64	874	195.650	63	2x54	2x42	2062	216	1442	10	D
CDR911226	70	33.715	55	68	31.620	54	1x28	1x22	231	19	86	1	D
CDR911326	96	31.055	55	93	29.255	54	1x35	1x28	249	25	129	1	D
CDR911426	113	28.795	55	121	27.125	54	1x35	1x28	265	32	173	1	D
CDR911526	125	27.060	55	87	19.565	54	1x35	1x28	285	38	216	1	D
CDR912326	192	62.110	58	187	58.510	57	1x42	1x35	437	44	259	2	D
CDR912426	227	57.590	58	242	54.250	57	1x42	1x35	468	57	346	2	D
CDR912526	250	54.120	58	175	39.130	57	1x42	1x35	507	70	432	2	D
CDR913326	288	93.165	59	280	87.765	58	1x42	1x35	647	64	389	3	D
CDR913426	340	86.385	59	362	81.375	58	1x42	1x35	693	83	519	3	D
CDR913526	375	81.180	59	262	58.695	58	1x54	1x42	752	102	649	3	D
CDR914426	454	115.180	61	483	108.500	60	1x54	1x42	1009	109	692	4	D
CDR914526	501	108.240	61	349	78.260	60	1x54	1x42	1103	134	865	4	D
CDR915426	567	143.975	61	604	135.625	60	1x54	1x42	1156	134	865	5	D
CDR915526	626	135.300	61	437	97.825	60	1x54	1x42	1273	167	1082	5	D

FANS	CODE	DIAM. (mm)	SUPPLY LINE	POWER (kW)		CURRENT(A)		RPM		S.POWER L.	
				D	Y	D	Y	D	Y	D	Y
	D	910	400/3/50	3,60	2,50	7,20	4,30	890	700	89	88

TURBO INDUSTRIAL SERIES 8

CODE	D			Y			IN mm	OUT mm	WEIGHT kg	VOL dm ³	SUP m ²	Nr. FAN	FAN TYPE
	KW	m ³ /h	DB(A)	KW	m ³ /h	DB(A)							
CAR811228	41	16.265	43	38	12.820	39	1x22	1x16	179	11	57	1	B
CAR811328	55	14.855	43	48	11.425	39	1x22	1x16	191	15	86	1	B
CAR811428	63	13.525	43	54	10.260	39	1x28	1x22	202	19	115	1	B
CAR811528	67	12.430	43	55	9.305	39	1x28	1x22	215	24	144	1	B
CAR812228	83	32.530	46	76	25.640	42	1x28	1x22	316	19	115	2	B
CAR812328	109	29.710	46	96	22.850	42	1x35	1x28	339	28	173	2	B
CAR812428	126	27.050	46	107	20.520	42	1x35	1x28	360	36	230	2	B
CAR812528	134	24.860	46	110	18.610	42	1x35	1x28	386	45	288	2	B
CAR813328	164	44.565	48	144	34.275	44	1x35	1x28	506	41	259	3	B
CAR813428	188	40.575	48	161	30.780	44	1x42	1x35	538	53	346	3	B
CAR813528	201	37.290	48	165	27.915	44	1x42	1x35	578	66	432	3	B
CAR814328	219	59.420	49	193	45.700	45	1x42	1x35	721	53	346	4	B
CAR814428	251	54.100	49	214	41.040	45	1x42	1x35	773	70	461	4	B
CAR814528	268	49.720	49	220	37.220	45	1x42	1x35	837	87	577	4	B
CAR815428	314	67.625	49	268	51.300	45	1x42	1x35	951	87	577	5	B
CAR815528	335	62.150	49	275	46.525	45	1x42	1x35	1031	108	721	5	B
CAR823428	376	81.150	50	322	61.560	46	2x42	2x35	1076	106	692	6	B
CAR823528	402	74.580	50	330	55.830	46	2x42	2x35	1156	132	864	6	B
CAR824328	438	118.840	51	386	91.400	47	2x42	2x35	1442	106	692	8	B
CAR824428	502	108.200	51	428	82.080	47	2x42	2x35	1546	140	922	8	B
CAR824528	536	99.440	51	440	74.440	47	2x42	2x35	1674	174	1154	8	B
CAR825428	628	135.250	52	536	102.600	48	2x42	2x35	1902	174	1154	10	B
CAR825528	670	124.300	52	550	93.050	48	2x42	2x35	2062	216	1442	10	B
CDR811228	55	17.715	43	50	14.390	39	1x22	1x16	231	19	86	1	B
CDR811328	72	16.850	43	64	13.425	39	1x28	1x22	249	25	129	1	B
CDR811428	82	16.015	43	71	12.585	39	1x28	1x22	265	32	173	1	B
CDR811528	87	15.230	43	73	11.815	39	1x28	1x22	285	38	216	1	B
CDR812228	110	35.430	46	100	28.780	42	1x35	1x28	403	32	173	2	B
CDR812328	143	33.700	46	128	26.850	42	1x35	1x28	437	44	259	2	B
CDR812428	164	32.030	46	142	25.170	42	1x35	1x28	468	57	346	2	B
CDR812528	175	30.460	46	147	23.630	42	1x35	1x28	507	70	432	2	B
CDR813328	215	50.550	47	191	40.275	43	1x42	1x35	647	64	389	3	B
CDR813428	247	48.045	47	212	37.755	43	1x42	1x35	693	83	519	3	B
CDR813528	262	45.690	47	220	35.445	43	1x42	1x35	752	102	649	3	B
CDR814328	286	67.400	49	255	53.700	45	1x42	1x35	934	83	519	4	B
CDR814428	329	64.060	49	283	50.340	45	1x42	1x35	1009	109	692	4	B
CDR814528	349	60.920	49	294	47.260	45	1x42	1x35	1103	134	865	4	B
CDR815428	411	80.075	49	354	62.925	45	1x54	1x42	1156	134	865	5	B
CDR815528	437	76.150	49	367	59.075	45	1x54	1x42	1273	167	1082	5	B
CAR911228	37	12.360	45	35	10.345	38	1x22	1x16	179	11	57	1	E
CAR911328	47	10.940	45	43	9.215	38	1x22	1x16	191	15	86	1	E
CAR912228	74	24.720	48	69	20.690	41	1x28	1x22	316	19	115	2	E
CAR912328	94	21.880	48	86	18.430	41	1x28	1x22	339	28	173	2	E
CAR913228	112	37.080	50	104	31.035	43	1x35	1x28	472	28	173	3	E
CAR913328	141	32.820	50	129	27.645	43	1x35	1x28	506	41	259	3	E
CAR914328	188	43.760	51	172	36.860	44	1x42	1x35	721	53	346	4	E
CAR915328	235	54.700	51	215	46.075	44	1x42	1x35	887	66	432	5	E
CAR923328	282	65.640	52	258	55.290	45	2x35	2x28	1012	82	518	6	E
CAR924328	376	87.520	53	344	73.720	46	2x42	2x35	1442	106	692	8	E
CAR925328	470	109.400	54	430	92.150	47	2x42	2x35	1774	132	864	10	E

FANS	CODE	DIAM. (mm)	SUPPLY LINE	POWER (kW)		CURRENT(A)		RPM		S.POWER L.	
				D	Y	D	Y	D	Y	D	Y
	B	800	400/3/50	1,05	0,77	2,40	1,50	680	560	77	73
v.05/24	E	910	400/3/50	0,90	0,47	2,20	1,05	640	440	79	72

TURBO INDUSTRIAL SERIES 8

CODE	D			Y			IN mm	OUT mm	WEIGHT kg	VOL dm ³	SUP m ²	Nr. FAN	FAN TYPE
	KW	m ³ /h	DB(A)	KW	m ³ /h	DB(A)							
CDR911228	50	14.040	45	46	11.820	38	1x22	1x16	231	19	86	1	E
CDR911328	63	13.000	45	56	10.875	38	1x28	1x22	249	25	129	1	E
CDR911428	69	12.120	45	61	10.160	38	1x28	1x22	265	32	173	1	E
CDR912228	99	28.080	48	92	23.640	41	1x35	1x28	403	32	173	2	E
CDR912328	125	26.000	48	113	21.750	41	1x35	1x28	437	44	259	2	E
CDR912428	137	24.240	48	122	20.320	41	1x35	1x28	468	57	346	2	E
CDR913228	149	42.120	49	138	35.460	42	1x35	1x28	596	44	259	3	E
CDR913328	188	39.000	49	169	32.625	42	1x42	1x35	647	64	389	3	E
CDR913428	206	36.360	49	183	30.480	42	1x42	1x35	693	83	519	3	E
CDR914328	251	52.000	51	226	43.500	44	1x42	1x35	934	83	519	4	E
CDR914428	274	48.480	51	244	40.640	44	1x42	1x35	1009	109	692	4	E
CDR915328	313	65.000	51	282	54.375	44	1x42	1x35	1062	102	649	5	E
CDR915428	343	60.600	51	306	50.800	44	1x42	1x35	1156	134	865	5	E

FANS	CODE	DIAM. (mm)	SUPPLY LINE	POWER (kW)		CURRENT(A)		RPM		S.POWER L.	
				D	Y	D	Y	D	Y	D	Y
E		910	400/3/50	0,90	0,47	2,20	1,05	640	440	79	72

TURBO INDUSTRIAL SERIES 12

CODE	D			Y			IN mm	OUT mm	WEIGHT kg	VOL dm ³	SUP m ²	Nr. FAN	FAN TYPE
	KW	m ³ /h	DB(A)	KW	m ³ /h	DB(A)							
CAR811221	34	9.725	34	30	7.305	29	1x22	1x16	179	11	57	1	C
CAR811321	41	8.645	34	35	6.300	29	1x22	1x16	191	15	86	1	C
CAR811421	45	7.770	34	36	5.600	29	1x22	1x16	202	19	115	1	C
CAR812421	89	15.540	37	71	11.200	32	1x28	1x22	360	36	230	2	C
CAR813221	101	29.175	39	89	21.915	34	1x35	1x28	472	28	173	3	C
CAR813321	124	25.935	39	104	18.900	34	1x35	1x28	506	41	259	3	C
CAR813421	134	23.310	39	107	16.800	34	1x35	1x28	538	53	346	3	C
CAR814321	166	34.580	40	138	25.200	35	1x35	1x28	721	53	346	4	C
CAR814421	179	31.080	40	143	22.400	35	1x35	1x28	773	70	461	4	C
CAR815321	207	43.225	40	173	31.500	35	1x42	1x35	887	66	432	5	C
CAR815421	223	38.850	40	178	28.000	35	1x42	1x35	951	87	577	5	C
CAR823321	248	51.870	41	208	37.800	36	2x35	2x28	1012	82	518	6	C
CAR823421	268	46.620	41	214	33.600	36	2x35	2x28	1076	106	692	6	C
CAR824321	332	69.160	42	276	50.400	37	2x35	2x28	1442	106	692	8	C
CAR824421	358	62.160	42	286	44.800	37	2x35	2x28	1546	140	922	8	C
CAR825321	414	86.450	43	346	63.000	38	2x42	2x35	1774	132	864	10	C
CAR825421	446	77.700	43	356	56.000	38	2x42	2x35	1902	174	1154	10	C
CDR811221	44	10.840	34	39	8.450	29	1x22	1x16	231	19	86	1	C
CDR811321	54	10.165	34	46	7.735	29	1x22	1x16	249	25	129	1	C
CDR811421	59	9.570	34	47	7.170	29	1x22	1x16	265	32	173	1	C
CDR812221	88	21.680	37	78	16.900	32	1x28	1x22	403	32	173	2	C
CDR812321	108	20.330	37	91	15.470	32	1x35	1x28	437	44	259	2	C
CDR812421	117	19.140	37	94	14.340	32	1x35	1x28	468	57	346	2	C
CDR813221	132	32.520	38	117	25.350	33	1x35	1x28	596	44	259	3	C
CDR813321	162	30.495	38	137	23.205	33	1x35	1x28	647	64	389	3	C
CDR813421	176	28.710	38	141	21.510	33	1x35	1x28	693	83	519	3	C
CDR814321	216	40.660	40	182	30.940	35	1x42	1x35	934	83	519	4	C
CDR814421	235	38.280	40	189	28.680	35	1x42	1x35	1009	109	692	4	C
CDR815321	270	50.825	40	228	38.675	35	1x42	1x35	1062	102	649	5	C
CDR815421	293	47.850	40	236	35.850	35	1x42	1x35	1156	134	865	5	C
CAR911221	39	13.995	42	35	10.695	34	1x22	1x16	179	11	57	1	F
CAR911321	58	11.500	42	43	9.215	34	1x22	1x16	191	15	86	1	F
CAR912221	78	27.990	45	70	21.390	37	1x28	1x22	316	19	115	2	F
CAR912321	116	23.000	45	86	18.430	37	1x35	1x28	339	28	173	2	F
CAR913321	175	34.500	47	129	27.645	39	1x35	1x28	506	41	259	3	F
CAR914321	233	46.000	48	172	36.860	40	1x42	1x35	721	53	346	4	F
CAR915321	291	57.500	48	215	46.075	40	1x42	1x35	887	66	432	5	F
CAR923321	350	69.000	49	258	55.290	41	2x35	2x28	1012	82	518	6	F
CAR924321	466	92.000	50	344	73.720	42	2x42	2x35	1442	106	692	8	F
CAR925321	582	115.000	51	430	92.150	43	2x42	2x35	1774	132	864	10	F

FANS	CODE	DIAM. (mm)	SUPPLY LINE	POWER (kW)		CURRENT(A)		RPM		S.POWER L.	
				D	Y	D	Y	D	Y	D	Y
	C	800	400/3/50	0,37	0,20	1,20	0,50	440	330	68	63
v.05/24	F	910	400/3/50	0,70	0,45	1,80	0,89	440	350	76	68

TURBO INDUSTRIAL SERIES 12

CODE	D			Y			IN mm	OUT mm	WEIGHT kg	VOL dm ³	SUP m ²	Nr. FAN	FAN TYPE
	KW	m ³ /h	DB(A)	KW	m ³ /h	DB(A)							
CDR911221	54	17.090	42	48	13.175	34	1x22	1x16	231	19	86	1	F
CDR911321	68	15.170	42	62	13.000	34	1x28	1x22	249	25	129	1	F
CDR911421	74	13.540	42	62	10.380	34	1x28	1x22	265	32	173	1	F
CDR912221	108	34.180	45	96	26.350	37	1x35	1x28	403	32	173	2	F
CDR912321	136	30.340	45	125	26.000	37	1x35	1x28	437	44	259	2	F
CDR912421	148	27.080	45	124	20.760	37	1x35	1x28	468	57	346	2	F
CDR913221	162	51.270	46	145	39.525	38	1x35	1x28	596	44	259	3	F
CDR913321	204	45.510	46	187	39.000	38	1x42	1x35	647	64	389	3	F
CDR913421	223	40.620	46	186	31.140	38	1x42	1x35	693	83	519	3	F
CDR914321	271	60.680	48	250	52.000	40	1x42	1x35	934	83	519	4	F
CDR914421	297	54.160	48	248	41.520	40	1x42	1x35	1009	109	692	4	F
CDR915321	339	75.850	48	312	65.000	40	1x42	1x35	1062	102	649	5	F
CDR915421	371	67.700	48	310	51.900	40	1x54	1x42	1156	134	865	5	F

FANS	CODE	DIAM. (mm)	SUPPLY LINE	POWER (kW)		CURRENT(A)		RPM		S.POWER L.	
				D	Y	D	Y	D	Y	D	Y
F		910	400/3/50	0,70	0,45	1,80	0,89	440	350	76	68

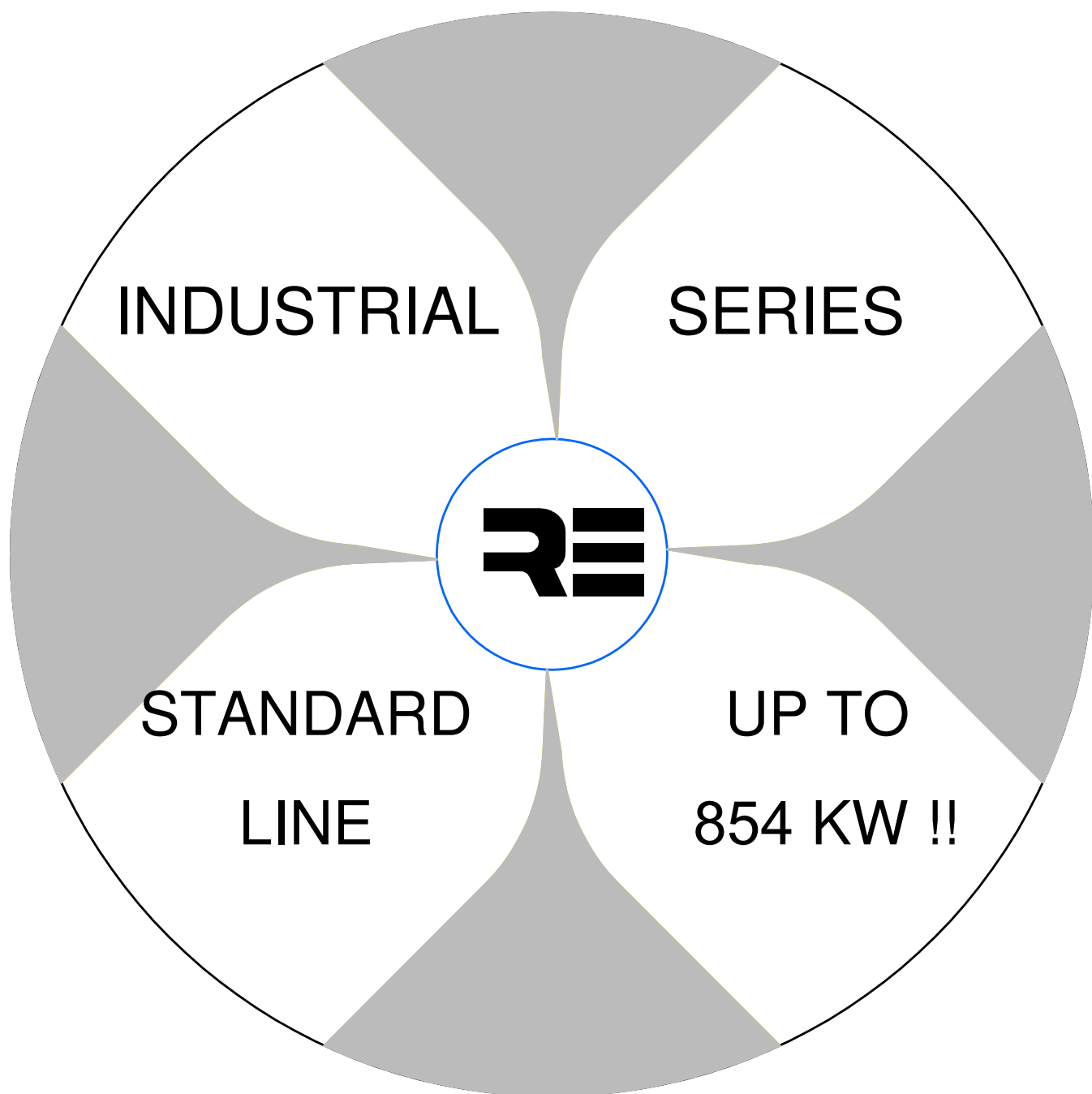
STANDARD INDUSTRIAL SERIES 6

CODE	D			Y			IN mm	OUT mm	WEIGHT kg	VOL dm ³	SUP m ²	Nr. FAN	FAN TYPE
	KW	m ³ /h	DB(A)	KW	m ³ /h	DB(A)							
CAS811226	40	22.335	50	36	17.070	45	1x22	1x16	179	12	58	1	A
CAS811326	55	20.890	50	48	15.630	45	1x22	1x16	191	16	87	1	A
CAS811426	63	19.290	50	56	14.180	45	1x28	1x22	202	20	115	1	A
CAS811526	73	18.065	50	61	13.090	45	1x28	1x22	215	24	144	1	A
CAS812226	80	44.670	53	71	34.140	48	1x28	1x22	316	20	115	2	A
CAS812326	110	41.780	53	96	31.260	48	1x35	1x28	339	28	173	2	A
CAS812426	126	38.580	53	111	28.360	48	1x35	1x28	360	37	231	2	A
CAS812526	147	36.130	53	121	26.180	48	1x35	1x28	386	45	289	2	A
CAS813326	165	62.670	55	143	46.890	50	1x35	1x28	506	41	260	3	A
CAS813426	189	57.870	55	167	42.540	50	1x42	1x35	538	54	346	3	A
CAS813526	220	54.195	55	182	39.270	50	1x42	1x35	578	67	433	3	A
CAS814426	252	77.160	56	222	56.720	51	1x42	1x35	773	71	462	4	A
CAS814526	293	72.260	56	243	52.360	51	1x42	1x35	837	88	577	4	A
CAS815426	315	96.450	56	278	70.900	51	1x42	1x35	951	88	577	5	A
CAS815526	367	90.325	56	303	65.450	51	1x42	1x35	1031	109	721	5	A
CAS823326	330	125.340	57	286	93.780	52	2x35	2x28	1012	82	520	6	A
CAS823426	378	115.740	57	334	85.080	52	2x42	2x35	1076	108	692	6	A
CAS823526	440	108.390	57	364	78.540	52	2x42	2x35	1156	134	866	6	A
CAS824426	504	154.320	58	444	113.440	53	2x42	2x35	1546	142	924	8	A
CAS824526	586	144.520	58	486	104.720	53	2x42	2x35	1674	176	1154	8	A
CAS825426	630	192.900	59	556	141.800	54	2x42	2x35	1902	176	1154	10	A
CAS825526	734	180.650	59	606	130.900	54	2x42	2x35	2062	218	1442	10	A
CDS811226	52	23.855	50	46	18.650	45	1x22	1x16	231	19	87	1	A
CDS811326	71	23.015	50	62	17.760	45	1x28	1x22	249	26	130	1	A
CDS811426	85	22.065	50	73	16.815	45	1x28	1x22	265	32	173	1	A
CDS811526	95	21.255	50	79	16.015	45	1x28	1x22	285	39	216	1	A
CDS812226	104	47.710	53	92	37.300	48	1x35	1x28	403	32	173	2	A
CDS812326	142	46.030	53	124	35.520	48	1x35	1x28	437	45	260	2	A
CDS812426	171	44.130	53	146	33.630	48	1x35	1x28	468	58	346	2	A
CDS812526	190	42.510	53	159	32.030	48	1x42	1x35	507	71	433	2	A
CDS813326	212	69.045	54	186	53.280	49	1x42	1x35	647	64	390	3	A
CDS813426	256	66.195	54	219	50.445	49	1x42	1x35	693	84	519	3	A
CDS813526	286	63.765	54	238	48.045	49	1x42	1x35	752	103	649	3	A
CDS814426	341	88.260	56	292	67.260	51	1x42	1x35	1009	109	692	4	A
CDS814526	381	85.020	56	318	64.060	51	1x54	1x42	1103	135	866	4	A
CDS815426	426	110.325	56	365	84.075	51	1x54	1x42	1156	135	866	5	A
CDS815526	476	106.275	56	397	80.075	51	1x54	1x42	1273	167	1082	5	A

FANS	CODE	DIAM. (mm)	SUPPLY LINE	POWER (kW)		CURRENT(A)		RPM		S.POWER L.	
				D	Y	D	Y	D	Y	D	Y
A		800	400/3/50	2,00	1,25	4,00	2,30	880	660	84	79



REMOTE CONDENSER



- Standard performance series
- More than 200 different models

- Low noise execution
- Small size at high capacity



ROEN EST

Via delle Industrie 4 - 34077 Ronchi dei Legionari (GO) Italia

☎ 0039-0481-474140 📠 0039-0481-779997 ✉ info@roenest.it

STANDARD INDUSTRIAL SERIES 6

CODE	D			Y			IN mm	OUT mm	WEIGHT kg	VOL dm ³	SUP m ²	Nr. FAN	FAN TYPE
	KW	m ³ /h	DB(A)	KW	m ³ /h	DB(A)							
CAS911226	45	31.345	55	44	29.545	54	1x22	1x16	179	12	58	1	D
CAS911326	63	28.620	55	62	26.955	54	1x28	1x22	191	16	87	1	D
CAS911426	76	25.880	55	74	24.310	54	1x28	1x22	202	20	115	1	D
CAS911526	85	23.900	55	83	22.390	54	1x28	1x22	215	24	144	1	D
CAS912226	91	62.690	58	89	59.090	57	1x28	1x22	316	20	115	2	D
CAS912326	126	57.240	58	123	53.910	57	1x35	1x28	339	28	173	2	D
CAS912426	152	51.760	58	148	48.620	57	1x35	1x28	360	37	231	2	D
CAS912526	171	47.800	58	165	44.780	57	1x35	1x28	386	45	289	2	D
CAS913326	189	85.860	60	185	80.865	59	1x42	1x35	506	41	260	3	D
CAS913426	228	77.640	60	222	72.930	59	1x42	1x35	538	54	346	3	D
CAS913526	256	71.700	60	248	67.170	59	1x42	1x35	578	67	433	3	D
CAS914426	304	103.520	61	295	97.240	60	1x42	1x35	773	71	462	4	D
CAS914526	342	95.600	61	330	89.560	60	1x42	1x35	837	88	577	4	D
CAS915426	380	129.400	61	369	121.550	60	1x54	1x42	951	88	577	5	D
CAS915526	427	119.500	61	413	111.950	60	1x54	1x42	1031	109	721	5	D
CAS923326	378	171.720	62	370	161.730	61	2x42	2x35	1012	82	520	6	D
CAS923426	456	155.280	62	444	145.860	61	2x42	2x35	1076	108	692	6	D
CAS923526	512	143.400	62	496	134.340	61	2x42	2x35	1156	134	866	6	D
CAS924426	608	207.040	63	590	194.480	62	2x42	2x35	1546	142	924	8	D
CAS924526	684	191.200	63	660	179.120	62	2x42	2x35	1674	176	1154	8	D
CAS925426	760	258.800	64	738	243.100	63	2x54	2x42	1902	176	1154	10	D
CAS925526	854	239.000	64	826	223.900	63	2x54	2x42	2062	218	1442	10	D
CDS911226	61	35.650	55	60	33.105	54	1x28	1x22	231	19	87	1	D
CDS911326	84	32.970	55	82	31.000	54	1x28	1x22	249	26	130	1	D
CDS911426	102	30.735	55	99	28.985	54	1x35	1x28	265	32	173	1	D
CDS911526	115	29.200	55	111	27.525	54	1x35	1x28	285	39	216	1	D
CDS912226	123	71.300	58	119	66.210	57	1x35	1x28	403	32	173	2	D
CDS912326	169	65.940	58	164	62.000	57	1x35	1x28	437	45	260	2	D
CDS912426	204	61.470	58	198	57.970	57	1x42	1x35	468	58	346	2	D
CDS912526	229	58.400	58	222	55.050	57	1x42	1x35	507	71	433	2	D
CDS913326	253	98.910	59	246	93.000	58	1x42	1x35	647	64	390	3	D
CDS913426	305	92.205	59	296	86.955	58	1x42	1x35	693	84	519	3	D
CDS913526	344	87.600	59	333	82.575	58	1x42	1x35	752	103	649	3	D
CDS914426	407	122.940	61	395	115.940	60	1x54	1x42	1009	109	692	4	D
CDS914526	459	116.800	61	444	110.100	60	1x54	1x42	1103	135	866	4	D
CDS915426	509	153.675	61	494	144.925	60	1x54	1x42	1156	135	866	5	D
CDS915526	574	146.000	61	555	137.625	60	1x54	1x42	1273	167	1082	5	D

FANS	CODE	DIAM. (mm)	SUPPLY LINE	POWER (kW)		CURRENT(A)		RPM		S.POWER L.	
				D	Y	D	Y	D	Y	D	Y
	D	910	400/3/50	3,60	2,50	7,20	4,30	890	700	89	88

STANDARD INDUSTRIAL SERIES 8

CODE	D			Y			IN mm	OUT mm	WEIGHT kg	VOL dm ³	SUP m ²	Nr. FAN	FAN TYPE
	KW	m ³ /h	DB(A)	KW	m ³ /h	DB(A)							
CAS811228	36	17.050	43	32	13.675	39	1x22	1x16	179	12	58	1	B
CAS811328	48	15.950	43	43	12.530	39	1x22	1x16	191	16	87	1	B
CAS811428	57	14.775	43	49	11.430	39	1x22	1x16	202	20	115	1	B
CAS811528	63	13.835	43	53	10.575	39	1x28	1x22	215	24	144	1	B
CAS812228	71	34.100	46	64	27.350	42	1x28	1x22	316	20	115	2	B
CAS812328	97	31.900	46	85	25.060	42	1x35	1x28	339	28	173	2	B
CAS812428	114	29.550	46	99	22.860	42	1x35	1x28	360	37	231	2	B
CAS812528	126	27.670	46	106	21.150	42	1x35	1x28	386	45	289	2	B
CAS813328	145	47.850	48	128	37.590	44	1x35	1x28	506	41	260	3	B
CAS813428	171	44.325	48	148	34.290	44	1x35	1x28	538	54	346	3	B
CAS813528	188	41.505	48	159	31.725	44	1x42	1x35	578	67	433	3	B
CAS814428	228	59.100	49	197	45.720	45	1x42	1x35	773	71	462	4	B
CAS814528	251	55.340	49	212	42.300	45	1x42	1x35	837	88	577	4	B
CAS815428	285	73.875	49	246	57.150	45	1x42	1x35	951	88	577	5	B
CAS815528	314	69.175	49	265	52.875	45	1x42	1x35	1031	109	721	5	B
CAS823328	290	95.700	50	256	75.180	46	2x35	2x28	1012	82	520	6	B
CAS823428	342	88.650	50	296	68.580	46	2x35	2x28	1076	108	692	6	B
CAS823528	376	83.010	50	318	63.450	46	2x42	2x35	1156	134	866	6	B
CAS824428	456	118.200	51	394	91.440	47	2x42	2x35	1546	142	924	8	B
CAS824528	502	110.680	51	424	84.600	47	2x42	2x35	1674	176	1154	8	B
CAS825428	570	147.750	52	492	114.300	48	2x42	2x35	1902	176	1154	10	B
CAS825528	628	138.350	52	530	105.750	48	2x42	2x35	2062	218	1442	10	B
CDS811228	46	18.190	43	41	14.960	39	1x22	1x16	231	19	87	1	B
CDS811328	61	17.550	43	55	14.215	39	1x28	1x22	249	26	130	1	B
CDS811428	73	16.860	43	64	13.480	39	1x28	1x22	265	32	173	1	B
CDS811528	81	16.250	43	69	12.850	39	1x28	1x22	285	39	216	1	B
CDS812228	91	36.380	46	83	29.920	42	1x28	1x22	403	32	173	2	B
CDS812328	121	35.100	46	110	28.430	42	1x35	1x28	437	45	260	2	B
CDS812428	146	33.720	46	127	26.960	42	1x35	1x28	468	58	346	2	B
CDS812528	161	32.500	46	138	25.700	42	1x35	1x28	507	71	433	2	B
CDS813328	182	52.650	47	165	42.645	43	1x35	1x28	647	64	390	3	B
CDS813428	219	50.580	47	191	40.440	43	1x42	1x35	693	84	519	3	B
CDS813528	242	48.750	47	207	38.550	43	1x42	1x35	752	103	649	3	B
CDS814428	293	67.440	49	255	53.920	45	1x42	1x35	1009	109	692	4	B
CDS814528	323	65.000	49	276	51.400	45	1x42	1x35	1103	135	866	4	B
CDS815428	366	84.300	49	318	67.400	45	1x42	1x35	1156	135	866	5	B
CDS815528	404	81.250	49	345	64.250	45	1x54	1x42	1273	167	1082	5	B

FANS	CODE	DIAM. (mm)	SUPPLY LINE	POWER (kW)		CURRENT(A)		RPM		S.POWER L.	
				D	Y	D	Y	D	Y	D	Y
B		800	400/3/50	1,05	0,77	2,40	1,50	680	560	77	73

STANDARD INDUSTRIAL SERIES 8

CODE	D			Y			IN mm	OUT mm	WEIGHT kg	VOL dm ³	SUP m ²	Nr. FAN	FAN TYPE
	KW	m ³ /h	DB(A)	KW	m ³ /h	DB(A)							
CAS911228	32	13.270	45	29	11.135	38	1x22	1x16	179	12	58	1	E
CAS911328	42	12.060	45	38	10.120	38	1x22	1x16	191	16	87	1	E
CAS911428	48	10.955	45	43	9.265	38	1x22	1x16	202	20	115	1	E
CAS911528	51	10.125	45	46	8.640	38	1x22	1x16	215	24	144	1	E
CAS912228	64	26.540	48	58	22.270	41	1x28	1x22	316	20	115	2	E
CAS912328	84	24.120	48	76	20.240	41	1x28	1x22	339	28	173	2	E
CAS912428	96	21.910	48	87	18.530	41	1x35	1x28	360	37	231	2	E
CAS912528	103	20.250	48	92	17.280	41	1x35	1x28	386	45	289	2	E
CAS913328	125	36.180	50	114	30.360	43	1x35	1x28	506	41	260	3	E
CAS913428	144	32.865	50	130	27.795	43	1x35	1x28	538	54	346	3	E
CAS913528	154	30.375	50	139	25.920	43	1x35	1x28	578	67	433	3	E
CAS914428	192	43.820	51	173	37.060	44	1x42	1x35	773	71	462	4	E
CAS914528	205	40.500	51	185	34.560	44	1x42	1x35	837	88	577	4	E
CAS915428	240	54.775	51	216	46.325	44	1x42	1x35	951	88	577	5	E
CAS915528	256	50.625	51	231	43.200	44	1x42	1x35	1031	109	721	5	E
CAS923328	250	72.360	52	228	60.720	45	2x35	2x28	1012	82	520	6	E
CAS923428	288	65.730	52	260	55.590	45	2x35	2x28	1076	108	692	6	E
CAS923528	308	60.750	52	278	51.840	45	2x35	2x28	1156	134	866	6	E
CAS924428	384	87.640	53	346	74.120	46	2x42	2x35	1546	142	924	8	E
CAS924528	410	81.000	53	370	69.120	46	2x42	2x35	1674	176	1154	8	E
CAS925428	480	109.550	54	432	92.650	47	2x42	2x35	1902	176	1154	10	E
CAS925528	512	101.250	54	462	86.400	47	2x42	2x35	2062	218	1442	10	E
CDS911228	41	14.670	45	38	12.445	38	1x22	1x16	231	19	87	1	E
CDS911328	49	11.660	45	49	11.660	38	1x22	1x16	249	26	130	1	E
CDS911428	62	13.070	45	56	10.970	38	1x28	1x22	265	32	173	1	E
CDS911528	67	12.400	45	60	10.405	38	1x28	1x22	285	39	216	1	E
CDS912228	82	29.340	48	76	24.890	41	1x28	1x22	403	32	173	2	E
CDS912328	98	23.320	48	97	23.320	41	1x35	1x28	437	45	260	2	E
CDS912428	125	26.140	48	112	21.940	41	1x35	1x28	468	58	346	2	E
CDS912528	135	24.800	48	119	20.810	41	1x35	1x28	507	71	433	2	E
CDS913328	147	34.980	49	146	34.980	42	1x35	1x28	647	64	390	3	E
CDS913428	187	39.210	49	167	32.910	42	1x35	1x28	693	84	519	3	E
CDS913528	202	37.200	49	179	31.215	42	1x42	1x35	752	103	649	3	E
CDS914428	250	52.280	51	223	43.880	44	1x42	1x35	1009	109	692	4	E
CDS914528	269	49.600	51	238	41.620	44	1x42	1x35	1103	135	866	4	E
CDS915428	312	65.350	51	279	54.850	44	1x42	1x35	1156	135	866	5	E
CDS915528	336	62.000	51	298	52.025	44	1x42	1x35	1273	167	1082	5	E

FANS	CODE	DIAM. (mm)	SUPPLY LINE	POWER (kW)		CURRENT(A)		RPM		S.POWER L.	
				D	Y	D	Y	D	Y	D	Y
E	910	400/3/50	0,90	0,47	2,20	1,05	640	440	79	72	

STANDARD INDUSTRIAL SERIES 12

CODE	D			Y			IN mm	OUT mm	WEIGHT kg	VOL dm ³	SUP m ²	Nr. FAN	FAN TYPE
	KW	m ³ /h	DB(A)	KW	m ³ /h	DB(A)							
CAS811221	28	10.370	34	25	7.975	29	1x22	1x16	179	12	58	1	C
CAS811321	37	9.530	34	31	7.140	29	1x22	1x16	191	16	87	1	C
CAS811421	42	8.715	34	34	6.425	29	1x22	1x16	202	20	115	1	C
CAS811521	44	8.045	34	35	5.855	29	1x22	1x16	215	24	144	1	C
CAS812221	56	20.740	37	49	15.950	32	1x22	1x16	316	20	115	2	C
CAS812321	73	19.060	37	62	14.280	32	1x28	1x22	339	28	173	2	C
CAS812421	83	17.430	37	68	12.850	32	1x28	1x22	360	37	231	2	C
CAS812521	88	16.090	37	70	11.710	32	1x28	1x22	386	45	289	2	C
CAS813321	110	28.590	39	93	21.420	34	1x35	1x28	506	41	260	3	C
CAS813421	125	26.145	39	102	19.275	34	1x35	1x28	538	54	346	3	C
CAS813521	132	24.135	39	105	17.565	34	1x35	1x28	578	67	433	3	C
CAS814421	166	34.860	40	135	25.700	35	1x35	1x28	773	71	462	4	C
CAS814521	176	32.180	40	140	23.420	35	1x35	1x28	837	88	577	4	C
CAS815421	208	43.575	40	169	32.125	35	1x42	1x35	951	88	577	5	C
CAS815521	220	40.225	40	175	29.275	35	1x42	1x35	1031	109	721	5	C
CAS823321	220	57.180	41	186	42.840	36	2x35	2x28	1012	82	520	6	C
CAS823421	250	52.290	41	204	38.550	36	2x35	2x28	1076	108	692	6	C
CAS823521	264	48.270	41	210	35.130	36	2x35	2x28	1156	134	866	6	C
CAS824421	332	69.720	42	270	51.400	37	2x35	2x28	1546	142	924	8	C
CAS824521	352	64.360	42	280	46.840	37	2x35	2x28	1674	176	1154	8	C
CAS825421	416	87.150	43	338	64.250	38	2x42	2x35	1902	176	1154	10	C
CAS825521	440	80.450	43	350	58.550	38	2x42	2x35	2062	218	1442	10	C
CDS811221	36	11.230	34	32	8.885	29	1x22	1x16	231	19	87	1	C
CDS811321	47	10.740	34	40	8.355	29	1x22	1x16	249	26	130	1	C
CDS811421	53	10.245	34	44	7.860	29	1x22	1x16	265	32	173	1	C
CDS811521	57	9.790	34	46	7.405	29	1x22	1x16	285	39	216	1	C
CDS812221	72	22.460	37	63	17.770	32	1x28	1x22	403	32	173	2	C
CDS812321	93	21.480	37	79	16.710	32	1x28	1x22	437	45	260	2	C
CDS812421	107	20.490	37	88	15.720	32	1x35	1x28	468	58	346	2	C
CDS812521	115	19.580	37	92	14.810	32	1x35	1x28	507	71	433	2	C
CDS813321	140	32.220	38	119	25.065	33	1x35	1x28	647	64	390	3	C
CDS813421	160	30.735	38	133	23.580	33	1x35	1x28	693	84	519	3	C
CDS813521	172	29.370	38	138	22.215	33	1x35	1x28	752	103	649	3	C
CDS814421	213	40.980	40	177	31.440	35	1x42	1x35	1009	109	692	4	C
CDS814521	230	39.160	40	185	29.620	35	1x42	1x35	1103	135	866	4	C
CDS815421	266	51.225	40	221	39.300	35	1x42	1x35	1156	135	866	5	C
CDS815521	287	48.950	40	231	37.025	35	1x42	1x35	1273	167	1082	5	C
CAS911221	34	15.615	42	30	12.020	34	1x22	1x16	179	12	58	1	F
CAS911321	44	13.435	42	38	10.305	34	1x22	1x16	191	16	87	1	F
CAS911421	49	11.505	42	42	8.795	34	1x22	1x16	202	20	115	1	F
CAS912221	68	31.230	45	61	24.040	37	1x28	1x22	316	20	115	2	F
CAS912321	88	26.870	45	77	20.610	37	1x28	1x22	339	28	173	2	F
CAS912421	99	23.010	45	84	17.590	37	1x35	1x28	360	37	231	2	F
CAS913321	132	40.305	47	115	30.915	39	1x35	1x28	506	41	260	3	F
CAS913421	148	34.515	47	126	26.385	39	1x35	1x28	538	54	346	3	F
CAS914421	198	46.020	48	167	35.180	40	1x42	1x35	773	71	462	4	F
CAS915421	247	57.525	48	209	43.975	40	1x42	1x35	951	88	577	5	F
CAS923321	264	80.610	49	230	61.830	41	2x35	2x28	1012	82	520	6	F
CAS923421	296	69.030	49	252	52.770	41	2x35	2x28	1076	108	692	6	F
CAS924421	396	92.040	50	334	70.360	42	2x42	2x35	1546	142	924	8	F
CAS925421	494	115.050	51	418	87.950	43	2x42	2x35	1902	176	1154	10	F

FANS	CODE	DIAM. (mm)	SUPPLY LINE	POWER (kW)		CURRENT(A)		RPM		S.POWER L.	
				D	Y	D	Y	D	Y	D	Y
	C	800	400/3/50	0,37	0,20	1,20	0,50	440	330	68	63
v.05/24	F	910	400/3/50	0,70	0,45	1,80	0,89	440	350	76	68

STANDARD INDUSTRIAL SERIES 12

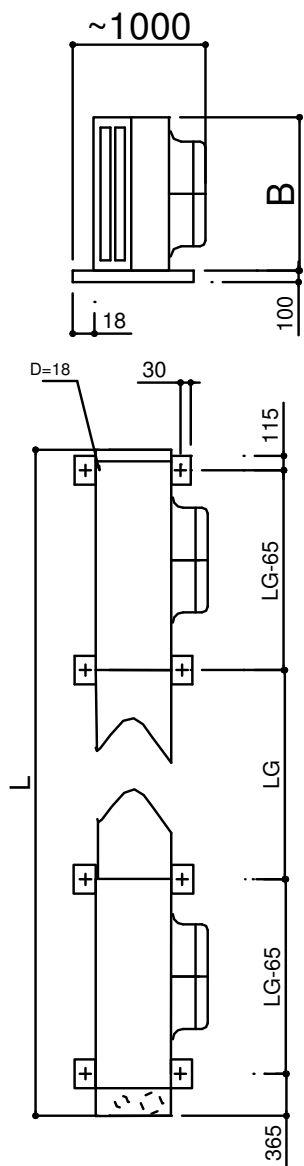
CODE	D			Y			IN mm	OUT mm	WEIGHT kg	VOL dm ³	SUP m ²	Nr. FAN	FAN TYPE
	KW	m ³ /h	DB(A)	KW	m ³ /h	DB(A)							
CDS911221	46	18.235	42	40	14.230	34	1x22	1x16	231	19	87	1	F
CDS911321	60	16.715	42	52	12.860	34	1x28	1x22	249	26	130	1	F
CDS911421	69	15.225	42	58	11.735	34	1x28	1x22	265	32	173	1	F
CDS911521	73	14.015	42	61	10.790	34	1x28	1x22	285	39	216	1	F
CDS912221	91	36.470	45	81	28.460	37	1x28	1x22	403	32	173	2	F
CDS912321	120	33.430	45	104	25.720	37	1x35	1x28	437	45	260	2	F
CDS912421	137	30.450	45	117	23.470	37	1x35	1x28	468	58	346	2	F
CDS912521	146	28.030	45	122	21.580	37	1x35	1x28	507	71	433	2	F
CDS913321	180	50.145	46	156	38.580	38	1x35	1x28	647	64	390	3	F
CDS913421	206	45.675	46	175	35.205	38	1x42	1x35	693	84	519	3	F
CDS913521	219	42.045	46	183	32.370	38	1x42	1x35	752	103	649	3	F
CDS914421	275	60.900	48	233	46.940	40	1x42	1x35	1009	109	692	4	F
CDS914521	292	56.060	48	244	43.160	40	1x42	1x35	1103	135	866	4	F
CDS915421	344	76.125	48	291	58.675	40	1x42	1x35	1156	135	866	5	F
CDS915521	365	70.075	48	305	53.950	40	1x42	1x35	1273	167	1082	5	F

FANS	CODE	DIAM. (mm)	SUPPLY LINE	POWER (kW)		CURRENT(A)		RPM		S.POWER L.	
				D	Y	D	Y	D	Y	D	Y
F		910	400/3/50	0,70	0,45	1,80	0,89	440	350	76	68

DIMENSIONS

INSTALLATION CXX1XXXX

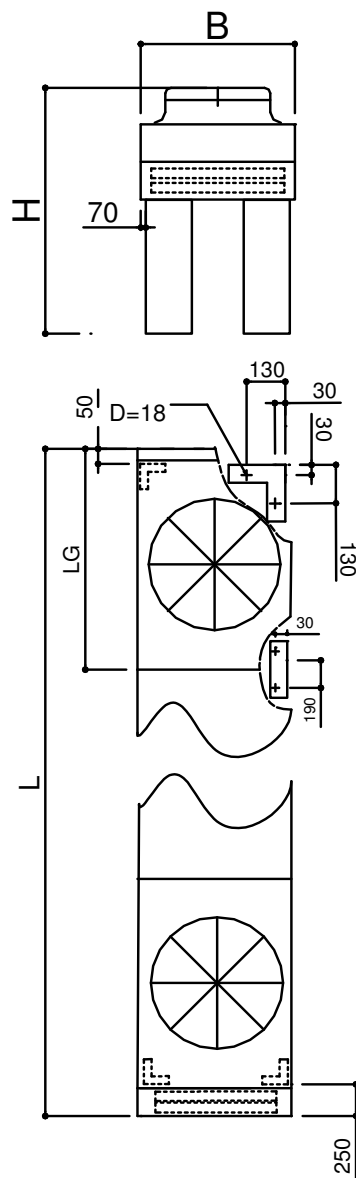
VERTICAL



Il disegno fornito è relativo alla versione standard, forma, dimensioni e peso possono variare.

Diritti riservati ROENEST s.r.l.

HORIZONTAL



Il disegno fornito è relativo alla versione standard, forma, dimensioni e peso possono variare.

Diritti riservati ROENEST s.r.l.

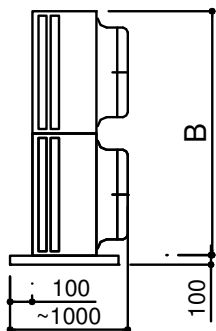
		□		□□		□□□		□□□□		□□□□□	
SERIES		CA	CD	CA	CD	CA	CD	CA	CD	CA	CD
L	mm	1770	1770	3240	3240	4710	4710	6180	6180	7650	7650
LG	mm	NO	NO	NO	NO	NO	NO	2940	2940	2940	2940
B	mm	1198	1723	1198	1723	1198	1723	1198	1723	1198	1723
H	mm	1737	1737	1737	1737	1737	1737	1737	1737	1737	1737

The drawing and the dimension present in this catalogue are relative at the standard version .Shape and dimension may vary according to the options selected

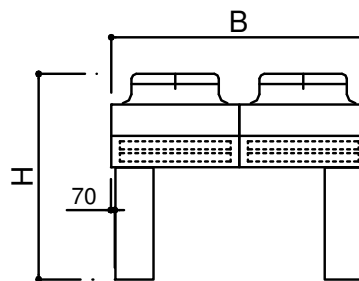
DIMENSIONS

INSTALLATION CXX2XXXX

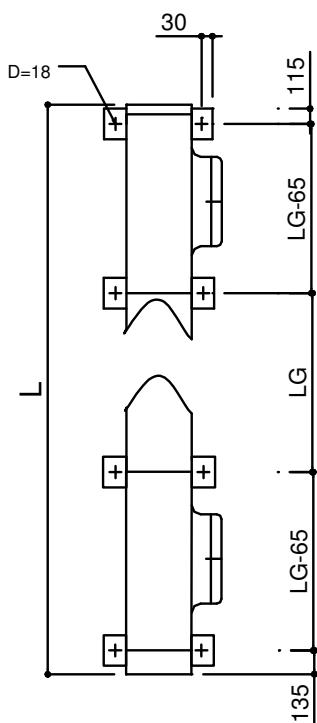
VERTICAL



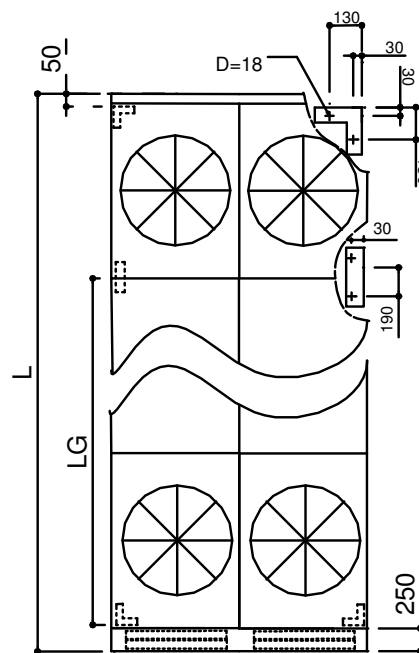
HORIZONTAL



Diritti riservati ROENEST s.r.l. Il disegno fornito è relativo alla versione standard, forma, dimensioni e peso possono variare.



Diritti riservati ROENEST s.r.l. Il disegno fornito è relativo alla versione standard, forma, dimensioni e peso possono variare.



SERIES	CA	CA	CA	CA	
L	mm	3240	4710	6180	7650
LG	mm	NO	NO	2940	2940
B	mm	2313	2313	2313	2313
H	mm	1737	1737	1737	1737

The drawing and the dimension present in this catalogue are relative at the standard version .Shape and dimension may vary according to the options selected